



TIER II CERTIFIED

590 Super M Series 2 Loader/Backhoe

ENGINE

Model..... Case Family III
445T/M2 diesel, Tier II certified
Type..... 4-stroke, turbocharged
Cylinders..... 4
Bore/Stroke..... 4.09" x 5.19"
(104 x 132 mm)
Displacement..... 272 in³ (4.5 L)
Fuel injection..... Direct
Fuel..... Diesel
Fuel filter..... w/water trap
Air intake..... Cross-flow
Cooling..... Liquid
Engine speeds* (rpm)
Rated speed, full load..... 2200
Low idle..... 800 - 900
High idle, no load..... 2380 - 2480
Horsepower
Gross..... 99 (74 kW) @ 2200 rpm
Net..... 98 (73 kW) @ 2200 rpm
Maximum torque @ 1400 rpm
Gross..... 294 lb-ft (398 N·m)
Net..... 289 lb-ft (392 N·m)
Torque rise at rated speed..... 24%

NOTE: *Engine speeds with standard transmission. Meets federal emission regulations.

ENGINE COOLING

Radiator
Core type..... Square wave
Core size area..... 487 in² (.315 m²)
Rows of tubes..... 5
Fan
Style..... Viscous 9 blade suction
Diameter..... 19.2" (488 mm)
Ratio..... 1.35:1
Water pump
Style..... Integral
Engine oil
Pump..... Deep sump plate cooler with pressurized under-piston nozzles
Pump operating angle ratings
Side-to-side..... Rated 35°
Fore and aft..... Rated 35°
Oil filtration..... Replaceable, full-flow cartridge

TIRES

Front
2WD - 14.5/75 x 16.1, 10-ply
4WD - 14 x 17.5, 10-ply
Rear
2/4WD - 21L x 24, 10-ply

POWERTRAIN

Transmission..... 4-speed synchromesh with hydraulically actuated clutches and electric F/R shuttle control, clutch disconnect buttons on the transmission shifter and loader control lever
Gear ratios Forward Reverse
1st..... 5.491..... 4.550
2nd..... 3.043..... 2.522
3rd..... 1.584..... 1.313
4th..... 0.793..... 0.657
Torque converter
Ratio..... 2.63
Differential lock..... On-the-go push-button activation
Front 4WD axle
Differential ratio..... 2.308
Planetary hub ratio..... 6.0
Total reduction ratio..... 13.846
Rear axle
Differential ratio..... 2.75
Planetary hub ratio..... 6.0
Total reduction ratio..... 16.5
Service brakes.. Individually applied, hydraulically actuated, maintenance-free, self-adjusting, inboard mounted, wet disc
Disc area..... 59.6 in² (.038 m²)
Parking brakes..... Mechanically applied with electric activation sensors at each brake
Travel speeds - mph (km/h)
1st 2nd 3rd 4th
Forward..... 3.5..... 6.7..... 13.5..... 25.5
(5.7) (10.8) (21.7) (41.0)
Reverse..... 4.3..... 8.1..... 16.3..... 30.8
(6.9) (13.0) (26.2) (49.6)

NOTE: Travel speeds at 2324 engine rpm.

ELECTRICAL

Voltage..... 12 volts, negative ground
Alternator..... 90 amp
Battery..... 850 cold-cranking amps
Optional batteries..... (2) 600 cold-cranking amps
Power plugs..... (2) 30 amps ea.

HYDRAULICS

Pump..... Gear-type tandem, transmission driven
Main relief pressure
3050 + 50 - 50 psi @ 42.5 gpm
(210 + 3 - 3 bar @ 161 L/min)
Filtration..... 7-micron, full flow replaceable cartridge on return line, condition indicator light for filter
Oil cooler..... Heavy-duty
Loader flow @ rated engine rpm
31.5 gpm @ 3050 psi
(121 L/min @ 210 bar)
Loader control valve..... Monoblock single lever control for lift, tilt and auxiliary hydraulics, positive hold float and return-to-dig
Loader auxiliary hydraulics
with full loader flow available
14 to 31.5 gpm
(53 to 119 L/min)
Backhoe flow @ rated engine rpm
42.5 gpm @ 3050 psi
(161 L/min @ 210 bar)

Manual Backhoe Controls

Backhoe Control Valve... Monoblock open-center, parallel circuits
Boom and dipper, with pilot operated checks.

Pilot Backhoe Controls

Backhoe Control Valve..... Sectional closed-center with inlet compensator and circuits in parallel.

Backhoe auxiliary hydraulics.....

Uni-directional flow, adjustable
variable flow from 0 to 36 gpm
(136L/min)

Control Operation

Manual... Foot switch activated
Pilot..... Button on left joystick

Bi-Directional flow, variable flow from
0 to 42.5 gpm
(161 L/min) @ rated engine rpm

Control operation

Manual..... Hand lever
Pilot..... Buttons on left joystick

OPERATOR ENVIRONMENT

ROPS/FOPS canopy
 Key start
 Hydrostatic steering
 Non-suspension seat w/180° swivel
 Hand and foot throttles
 Loader control lever w/push-button activation of differential lock and transmission de-clutch
 Backhoe foot-swing w/3 lever control
 (2) Accessory power plugs (30 amp)
 Anti-vandalism covers (canopy only)
 Cup holder
 Coat hook w/tether strap (cab only)
 Interior rearview mirror
 2" (51 mm) retractable seat belt
 Storage compartment w/lid
 Left side storage tray

INSTRUMENTATION

Gauges
 Engine water temperature
 Converter oil temperature
 Fuel
 Tachometer/hourmeter
 Voltmeter
 Warning lights
 Air cleaner restriction
 Alternator
 A/C low/high pressure
 Cold start
 Engine oil pressure
 Hydraulic oil filter bypass
 Parking brake
 Rear axle fluid temperature sensing system
 Low fuel
 Audible alarms
 Coolant temperature
 Engine oil pressure
 Parking brake engagement
 Shuttle engagement/seat position
 Backup alarm
 Turn signal indicators
 Horn - dual switched front & rear

TURNING DIAMETER

2WD
 Brakes on..... 25'0.4" (7.63 m)
 Brakes off..... 25'11" (7.90 m)
 4WD – engaged
 Brakes on..... 26'5" (8.04 m)
 Brakes off..... 29'10" (9.08 m)
 4WD – disengaged
 Brakes on..... 24'8" (7.51 m)
 Brakes off..... 25'6" (7.78 m)

NOTE: Turning diameter dimensions curb to curb w/general purpose bucket.

OPERATING WEIGHTS

Lightest Configuration
 Unit equipped with 2WD, ROPS canopy, non-suspension seat, 93" (2.36 m) general purpose loader bucket, 24" (610 mm) Universal backhoe bucket, standard dipperstick, 21L x 24 rear tires, 14.5/75 x 16.1 front tires, single battery, standard cast stabilizer pads, no operator 15,268 lb (6926 kg)

Heavy Configuration
 Unit equipped with 4WD, cab, suspension seat, 93" (2.36 m) 4 IN 1® loader bucket, 24" (610 mm) Universal backhoe bucket, Extindahoe® dipperstick, dual batteries, flip stabilizer pads, no operator 19,578 lb (8881 kg)

Add-on weights

Cab (over canopy) ... +454 lb (206 kg)
 Counterweights..... +440 lb (200 kg)
 +900 lb (408 kg)
 Extindahoe® +270 lb (122 kg)
 4WD w/driveshaft guard..... +393 lb (178 kg)

SERVICE CAPACITIES

Fuel tank..... 42.0 gal (159 L)
 Hydraulic system
 Total 34.25 gal (130 L)
 Total w/Extindahoe® 35.75 gal (135.7 L)
 Reservoir w/filter.. 14.5 gal (54.9 L)
 Reservoir w/o filter... 14.0 gal (53 L)
 Transmission
 2WD Total system .. 19.5 qt (18.5 L)
 4WD Total system .. 22.0 qt (20.8 L)
 4WD Front axle
 Differential..... 6.9 qt (6.5 L)
 Planetarys (each)..... 1.1 qt (1.0 L)
 Rear axle
 Differential..... 15.0 qt (14.2 L)
 Planetarys (each)..... 2.0 qt (2.1 L)
 Engine oil w/filter 14.4 qt (13.6 L)
 Cooling system
 w/heater 19.0 qt (18.0 L)
 w/o heater..... 18.3 qt (17.3 L)
 Window washer reservoir..... 2.5 qt (2.36 L)

LOADER

Single-lever control for lift and tilt
 Positive hold float
 Return-to-dig
 Automatic self-leveling
 In-line, reverse linkage
 Dual parallel dump cylinders
 Clutch disconnect button on loader control and shift levers
 Bucket position indicator

Loader Bucket Sizes

General Purpose Bucket
 (w/ lift points and bolt-on cutting edge)

Width	Weight	Struck	Heaped
93" (2.36 m)	1,123 lb (509 kg)	1.1 yd ³ (0.84 m ³)	1.3 yd ³ (1.0 m ³)
96" (2.44 m)	1,324 lb (601 kg)	1.27 yd ³ (0.97 m ³)	1.5 yd ³ (1.15 m ³)

4 IN 1® Bucket

93" (2.36 m)	1,628 lb (738 kg)	1.0 yd ³ (0.76 m ³)	1.2 yd ³ (0.92 m ³)
--------------	-------------------	--	--

BACKHOE

Over-center design
 Cast, ductile iron boom, and swing tower
 Open-center hydraulics - Pro Control System
 17,940 lb-ft (24,370 N-m) swing torque
 Case attachment coupler
 Foot-swing w/3 lever control
 Wing stabilizers w/cleated dirt pad

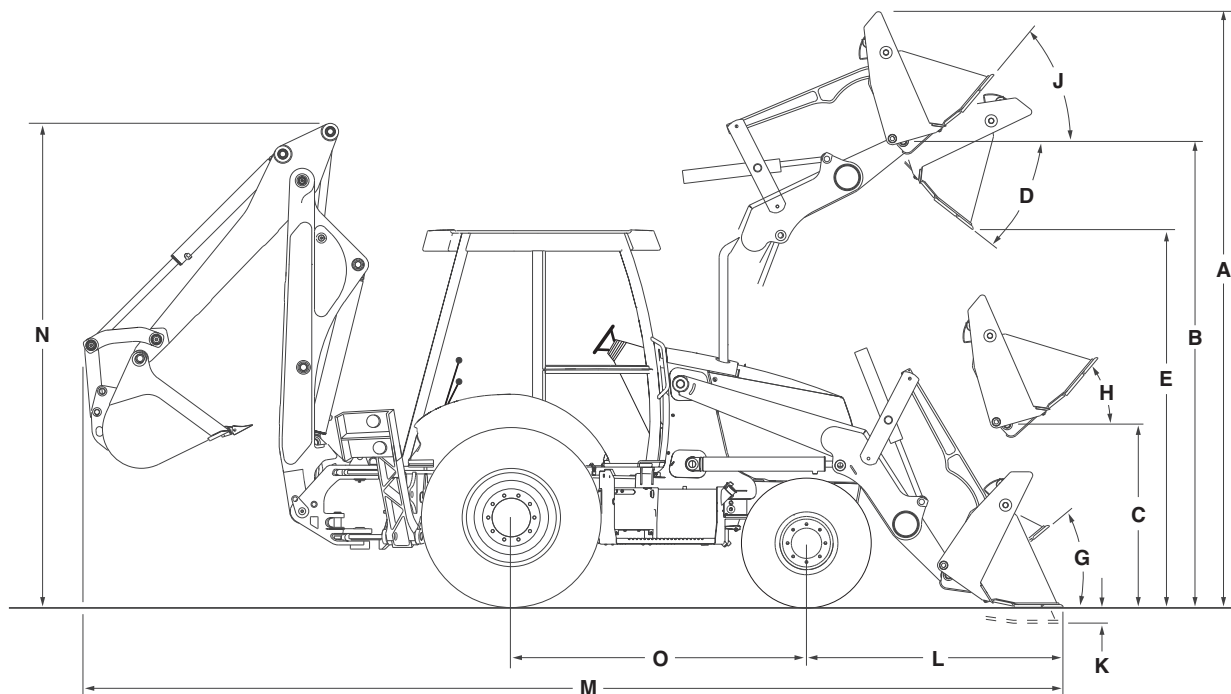
Backhoe Bucket Sizes

Universal Buckets

Width	Weight	Heaped
12" (305 mm)	290 lb (132 kg)	3.40 ft ³ (0.10 m ³)
16" (406 mm)	346 lb (157 kg)	3.60 ft ³ (0.10 m ³)
18" (457 mm)	350 lb (159 kg)	5.30 ft ³ (0.15 m ³)
24" (610 mm)	413 lb (187 kg)	7.70 ft ³ (0.22 m ³)
30" (762 mm)	475 lb (215 kg)	10.20 ft ³ (0.29 m ³)
36" (914 mm)	535 lb (243 kg)	12.70 ft ³ (0.36 m ³)

High Capacity Buckets

Width	Weight	Heaped
24" (610 mm)	450 lb (204 kg)	8.50 ft ³ (0.24 m ³)
30" (762 mm)	517 lb (235 kg)	10.60 ft ³ (0.3 m ³)



LOADER DIMENSIONS

General Purpose Bucket 4 IN 1[®] Bucket

A. Overall operating height – fully raised	14'2" (4.32 m)	14'6" (4.43 m)
Height to –		
B. Bucket hinge pin fully raised.....	11'5" (3.47 m)	11'5" (3.47 m)
C. Bucket hinge pin @ SAE carry	13.7" (349 mm)	14.9" (379 mm)
D. Dump angle @ full height.....	45°	45°
E. Dump clearance @ full height, 45° dump –		
Bucket.....	9'0" (2.75 m)	9'2" (2.78 m)
Clam open.....	NA	9'10" (3.0 m)
F. Dump reach @ full height, 45° dump –		
Bucket	27.5" (699 mm)	25.9" (659 mm)
Clam open.....	NA	11.5" (293 mm)
Bucket rollback –		
G. @ groundline.....	40°	40°
H. @ SAE carry	45°	45°
J. @ full height.....	Adjustable	Adjustable
K. Digging depth below grade –		
Bucket flat.....	3.8" (96 mm)	4.3" (109 mm)
Clam open (dozing)	NA	1.7" (42 mm)
L. Reach from front axle centerline – bucket on ground	77.6" (1.97 m)	75.2" (1.91 m)
Lift capacity to full height	7,327 lb (3323 kg)	7,437 lb (3373 kg)
Breakout force –		
Lift cylinders.....	10,729 lbf (47 725 N)	10,294 lbf (45 790 N)
Dump cylinders	10,980 lbf (48 841 N)	12,004 lbf (53 396 N)
Bucket cutting edge width.....	93" (2.36 m)	93" (2.36 m)
Maximum grading angle	116°	116°
Maximum clam opening.....	NA	38.3" (972 mm)
Moldboard height	NA	36.8" (934 mm)
Raising time to full height	4.7 sec	4.7 sec
Bucket dumping time.....	1.2 sec	1.2 sec
Lowering time –		
Power down	2.8 sec	2.8 sec
Return-to-dig.....	3.1 sec	3.1 sec
Clam –		
Open time	NA	2.3 sec
Close time	NA	2.3 sec

NOTE: Loader dimensions taken with 4WD.

DIMENSIONS

	Standard Backhoe		Extendahoe®	
			Retracted	Extended
M. Overall transport length –				
General purpose bucket.....	23'7" (7.13 m)	23'7" (7.19 m)	NA	
4 IN 1® bucket.....	22'7" (6.88 m)	22'8" (6.91 m)	NA	
Overall transport width.....	7'9" (2.36 m)	7'9" (2.36 m)	NA	
Height –				
To top of canopy.....	8'11" (2.73 m)	8'11" (2.73 m)	8'11" (2.73 m)	
To top of cab.....	8'10" (2.69 m)	8'10" (2.69 m)	8'10" (2.69 m)	
To top of exhaust stack.....	8'7" (2.62 m)	8'7" (2.62 m)	8'7" (2.62 m)	
N. Transport.....	11'2" (3.41 m)	11'7" (3.54 m)	NA	
Ground clearance at backhoe frame.....	14.6" (371 mm)	14.8" (375 mm)	14.8" (375 mm)	
Angle of departure.....	23°	23°	23°	
Front wheel tread –				
2WD.....	72.6" (1.84 m)	72.6" (1.84 m)	NA	
4WD.....	73.4" (1.86 m)	73.4" (1.86 m)	NA	
Rear wheel tread.....	69.9" (1.78 m)	69.9" (1.78 m)	NA	
O. Wheelbase –				
2WD.....	84" (2.13 m)	84" (2.13 m)	NA	
4WD.....	84.5" (2.15 m)	84.5" (2.15 m)	NA	

NOTE: Dimensions taken with 21L x 24 rear tires and 14.5/75L x 16.1 front tires except that data marked 4WD is taken with 14 x 17.5 front tires.

CYLINDERS

	Bore Diameter	Rod Diameter	Stroke
Loader			
Lift (2).....	3.5" (89 mm)	1.75" (44.5 mm)	30.2" (766 mm)
Bucket (2).....	3.25" (83 mm)	1.75" (44.5 mm)	20.6" (522 mm)
4 IN 1® clam (2).....	3.0" (76 mm)	1.75" (44.5 mm)	9.1" (231 mm)
Backhoe			
Boom.....	5.5" (139.7 mm)	2.5" (63 mm)	38.4" (976 mm)
Dipperstick.....	5.5" (139.7 mm)	2.75" (69.9 mm)	22.2" (564.2 mm)
Bucket.....	3.75" (95 mm)	2.75" (69.9 mm)	34.3" (872 mm)
Extendahoe®.....	3.0" (76 mm)	1.75" (44.5 mm)	48.0" (1.22 m)
Swing (2).....	4.0" (101.6 mm)	2.0" (50.8 mm)	11.5" (292 mm)
Stabilizer (2).....	5.0" (127 mm)	2.25" (57.2 mm)	20.4" (519.4 mm)
Steering			
2WD.....	2.75" (69.9 mm)	1.5" (38.1 mm)	6.7" (170 mm)
4WD.....	2.48" (63 mm)	1.5" (38.1 mm)	9.53" (242 mm)

BACKHOE LIFT CAPACITIES

Boom and Dipper Lift Capacities are rated per SAE J31 and are 87% of the maximum hydraulic lift force available with the specified options.

Boom Lift	Standard Backhoe		Extendahoe®			
	Distance from swing pivot (m)	Backhoe lift capacity - lb (kg)	Retracted		Extended	
			Distance from swing pivot (m)	Backhoe lift capacity - lb (kg)	Distance from swing pivot (m)	Backhoe lift capacity - lb (kg)
+18' (5.48 m)					13'6" (4.11)	2,200 (998)
+16' (4.87 m)		2,870 (1302)			15'5" (4.70)	2,300 (1043)
+14' (4.27 m)	9'9" (2.97)	3,590 (1628)	10'8" (3.25)	3,310 (1501)	16'10" (5.13)	2,420 (1098)
+12' (3.66 m)	12'1" (3.69)	3,670 (1665)	12'9" (3.89)	3,280 (1488)	17'11" (5.46)	2,370 (1075)
+10' (3.05 m)	13'8" (4.16)	3,670 (1665)	14'2" (4.32)	3,410 (1547)	18'9" (5.72)	2,420 (1098)
+8' (2.44 m)	14'8" (4.47)	3,620 (1642)	15'2" (4.62)	3,330 (1510)	19'3" (5.87)	2,420 (1098)
+6' (1.83 m)	15'3" (4.65)	3,550 (1610)	15'11" (4.85)	3,390 (1538)	19'7" (5.97)	2,310 (1048)
+4' (1.22 m)	15'8" (4.77)	3,460 (1569)	16'3" (4.96)	3,280 (1488)	19'8" (5.99)	2,290 (1039)
+2' (0.61 m)	15'10" (4.82)	3,370 (1529)	16'4" (4.98)	3,210 (1456)	19'6" (5.94)	2,260 (1025)
Ground Level	15'7" (4.75)	3,330 (1510)	16'1" (4.91)	3,120 (1415)	19'2" (5.84)	2,230 (1012)
-2' (0.61 m)	15'1" (4.60)	3,250 (1474)	15'8" (4.77)	3,010 (1365)	18'6" (5.64)	2,220 (1007)
-4' (1.22 m)	14'4" (4.37)	3,110 (1411)	14'11" (4.55)	2,950 (1338)	17'8" (5.38)	2,140 (971)
-6' (1.83 m)	13'2" (4.01)	3,040 (1379)	13'9" (4.19)	2,850 (1293)	16'6" (5.03)	2,110 (957)
-8' (2.44 m)	11'5" (3.48)	2,960 (1343)	12'2" (3.71)	2,840 (1288)	14'10" (4.52)	2,090 (948)
-10' (3.05 m)	8'9" (2.67)	2,960 (1343)	9'10" (2.99)	2,810 (1275)	12'9" (3.89)	2,180 (989)
-12' (3.66 m)		2,930 (1329)	5'8" (1.72)	2,880 (1306)	9'9" (2.97)	2,240 (1016)
-14' (4.27 m)					6'0" (1.83)	2,490 (1129)
-15' (4.57 m)						
Dipper Lift						
+16' (4.87 m)					12'10" (3.91)	2,810 (1275)
+14' (4.27 m)	9'5" (2.87)	4,800 (2177)	10'2" (3.10)	4,850 (2200)	14'0" (4.27)	2,940 (1334)
+12' (3.66 m)	10'7" (3.23)	5,290 (2399)	11'2" (3.40)	5,310 (2409)	14'7" (4.45)	3,080 (1397)
+10' (3.05 m)	11'0" (3.35)	5,580 (2531)	11'6" (3.50)	5,510 (2500)	14'9" (4.50)	3,100 (1406)
+8' (2.44 m)	10'7" (3.23)	5,750 (2608)	11'2" (3.40)	5,720 (2595)	14'8" (4.47)	3,150 (1429)
+6' (1.83 m)	9'4" (2.84)	5,630 (2554)	10'1" (3.08)	5,740 (2604)	14'0" (4.27)	3,190 (1447)
+4' (1.22 m)	6'0" (1.83)	6,490 (2944)	7'4" (2.23)	6,590 (2989)	12'9" (3.89)	3,290 (1492)

BACKHOE OPERATIONAL DATA

	Standard Backhoe		Extendahoe®	
			Retracted	Extended
Digging depth –				
Maximum	15'11" (4.85 m)		15'11" (4.85 m)	19'11" (6.07 m)
Maximum w/hi-capacity bucket	16'4" (4.98 m)		16'4" (4.98 m)	20'4" (6.20 m)
2' (610 mm) flat bottom	15'10" (4.83 m)		15'10" (4.83 m)	19'10" (6.05 m)
8' (2.44 m) flat bottom	14'11" (4.55 m)		14'11" (4.55 m)	19'2" (5.84 m)
Overall reach from –				
Rear axle centerline	23'3" (7.09 m)		23'3" (7.09 m)	27'2" (8.28 m)
Swing pivot	19'8" (5.99 m)		19'8" (5.99 m)	23'7" (7.19 m)
Loading height	11'5" (3.48 m)		11'5" (3.48 m)	13'9" (4.19 m)
Loading reach – dipper retracted	9'6" (2.90 m)		9'6" (2.90 m)	12'9" (3.89 m)
Swing arc	180°		180°	180°
Bucket rotation –				
#1 position	164°		164°	164°
#2 position	200°		190°	190°
Stabilizer spread – operating	11'1" (3.38 m)		11'1" (3.38 m)	11'1" (3.38 m)
Digging force –				
Bucket cylinder	14,718 lbf (65 469 N)		14,718 lbf (65 469 N)	14,718 lbf (65 469 N)
Dipper cylinder	8,449 lbf (37 583 N)		8,449 lbf (37 583 N)	5,999 lbf (26 685 N)
	w/bucket @ 50°		w/bucket @ 50°	w/bucket @ 51°
Leveling angle				
maximum slope that backhoe will make vertical cut	12°		12°	12°

NOTE: Lift capacities apply straight to the rear of prime mover. Equipped with 24" (610 mm) Universal H.D. trenching bucket and Case coupler except as noted.

STANDARD EQUIPMENT

OPERATOR'S COMPARTMENT

See page 2

ENGINE

Case Family III 445T/M2 turbocharged diesel
Tier II certified
Integral crank driven balancer
Automatic fan belt tensioner
Viscous fan drive
Integral engine oil cooling
Fuel filter w/water trap
KKSBB starter timing control
Dual element air cleaner with integral pre-cleaner
90 amp alternator
850 CCA 12-volt battery
Heavy-duty radiator w/deaeration bottle
Non-spark-arresting muffler

LOADER

See page 2

BACKHOE

See page 2

POWERTRAIN

2WD
4F/4R Power shuttle synchromesh transmission
Torque converter
Transmission de-clutch
Electro-hydraulic differential lock
Hydrostatic steering
Wet disc brakes
Remote lube front axle pivot

HYDRAULICS

2-spool loader control valve
6-spool backhoe control valve
Heavy-duty oil cooler

OTHER

Forward tilt engine hood
Replaceable, molded front bumpers
Front/rear tie downs
Reflective logos
Lights - Cab and Canopy
2 Rear tail/stop
2 Front flashers/turn
2 Rear flashers/turn
4 Front & 4 rear adjustable halogen lights (55 w)

OPTIONAL EQUIPMENT

OPERATOR'S COMPARTMENT

Cab with –
Heater
Defroster
Dome light
Wipers, front and rear
Tinted glass
Floor mat
Side window partial hold open
Inside release for side windows
Operator Convenience Package
Tilt wheel
Windshield washer w/adjustable nozzles (front & rear)
Sun visor
Deluxe Cab Package
Operator Convenience Package PLUS
Vinyl-covered interior
Radio-ready kit w/antenna and speakers
Reduced sound level to 72 dB(A)
Vinyl or cloth-covered mechanical suspension seat
Air Ride suspension seat
3" (76 mm) retractable seat belt
Cab air-conditioning, 100% filtered air, in-cab filter access, 8 adjustable roof vents, 2 floor vents, w/heater
Ride Control
Cab right door

Canopy Convenience Package
Front windshield w/wiper & washer
85 dB(A) sound
Floor mat
Sun visor

LOADER

Hydraulic attachment coupler
Attachment auxiliary hydraulics
Buckets (see page 2)

BACKHOE

Case hydraulic coupler
Buckets (see page 2)
Extendahoe®
Two-lever control
Pilot Operated Control System
Fingertip Proportional
Electrohydraulic stabilizer controls.
Thumb operated Proportional
Electrohydraulic Extendahoe control
Thumb operated horn button
Thumb operated Auxiliary Hydraulic Control
Infinitely Adjustable Towers
In-Cab Switchable "Excavator to Backhoe" control pattern change
Stabilizer pads
Flip-over
Rubber pad
Front counterweights
440 lb (200 kg)
900 lb (408 kg)

ENGINE

Cold weather grid heater starting aid
Dual, 12-volt, 600CCA batteries
Exhaust aspirated air cleaner

POWERTRAIN

4WD w/outboard planetary drive, on-the-go push-button activation and 14 x 17.5 front tires
Powershift transmission with Autoshift (4WD unit only)

HYDRAULICS

Auxiliary backhoe uni-directional hydraulics
Auxiliary backhoe bi-directional hydraulics
Hand lever operated for manual controls
Button operated for pilot controls

OTHER

Outside breakaway mirror
Rear fender extension
Tool box
Special paint

NOTE: All specifications are stated in accordance with SAE Standards or Recommended Practices, where applicable.

NOTE: All engines meet current EPA emissions requirements.

IMPORTANT: CNH America LLC reserves the right to change these specifications without notice and without incurring any obligation relating to such change. CNH America LLC does not warrant the safety or reliability of attachments from other manufacturers.

Case is a registered trademark of CNH America LLC. Any trademarks referred to herein, in association with goods and/or services of companies other than CNH America LLC, are the property of those respective companies.

www.casece.com

CASE IS A BRAND OF CNH, A GLOBAL LEADER FOR CONSTRUCTION EQUIPMENT, AGRICULTURAL EQUIPMENT AND FINANCIAL SERVICES.